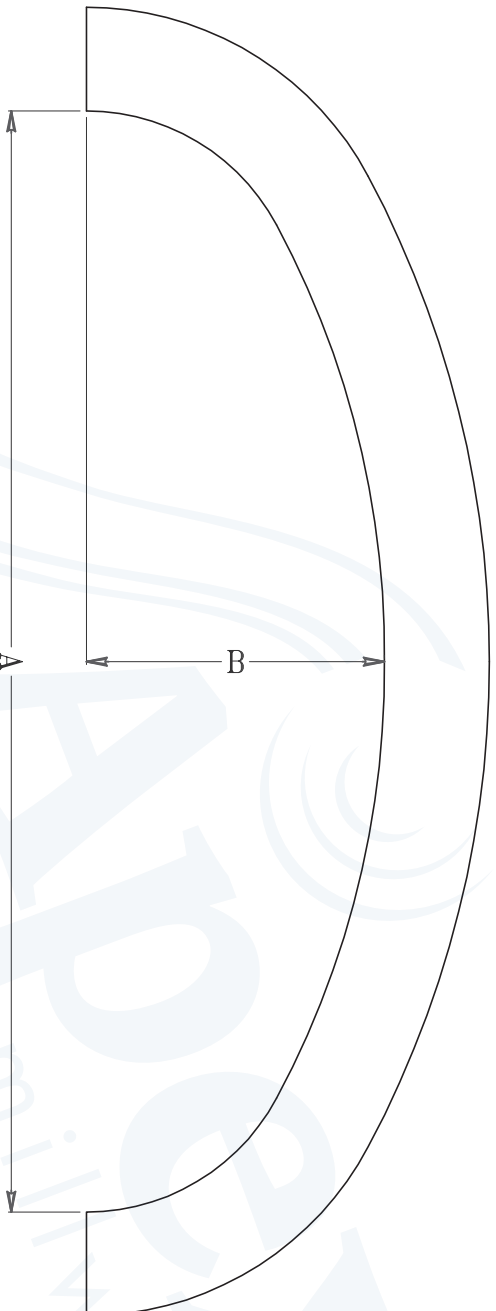


CUSTOMER NAME: _____

CUSTOMER ORDER NUMBER: _____

CUSTOMER SUPPORT REP: _____

TECHNICAL SUPPORT REP: _____



DIMENSION (A) = _____

DIMENSION (B) = _____

A TEMPLATE MUST BE PROVIDED TO INSURE PROPER FIT

ELLIPTICAL ARCHES ARE MADE OF THREE SEPARATE RADIIUSES. IN SOME APPLICATIONS AROUND WINDOWS OR DOORS THE SMALL RADIIUSES MAY SOMETIMES BE DIFFERENT FROM EACH OTHER. PLEASE MAKE TEMPLATE AS ACCURATE AS POSSIBLE FOR BEST RESULTS AND FIT OF PART.

APEX MOULDING ITEM NUMBER: _____

CONTACT NAME: _____

APEX CUSTOM PART NUMBER: _____

CONTACT PHONE/FAX NUMBER: _____

QUOTE NUMBER: _____

QUANTITY: _____

Customer Signature: _____

Date: _____



105 Church Lane
Red Lion, PA 17356
Ph. (717) 246-1948 or (877) 396-1777
Fax (717) 244-8187
Visit our website at: www.aumill.com

TITLE: **CUSTOM ELLIPTICAL ARCH**

SPEC SHEET NUMBER: **10-001**

ALL ITEMS ARE DRAWN FOR PRESENTATION PURPOSES ONLY, THEREFORE IMAGE SHOWN MAY VARY SLIGHTLY FROM FINISHED ACTUAL PART. DRAWING SHOWN IS TO INDICATE GENERAL ARRANGEMENT AND DESIGN. APEX RESERVES THE RIGHT TO CHANGE ANY PRODUCT DESIGN WITHOUT NOTIFICATION.