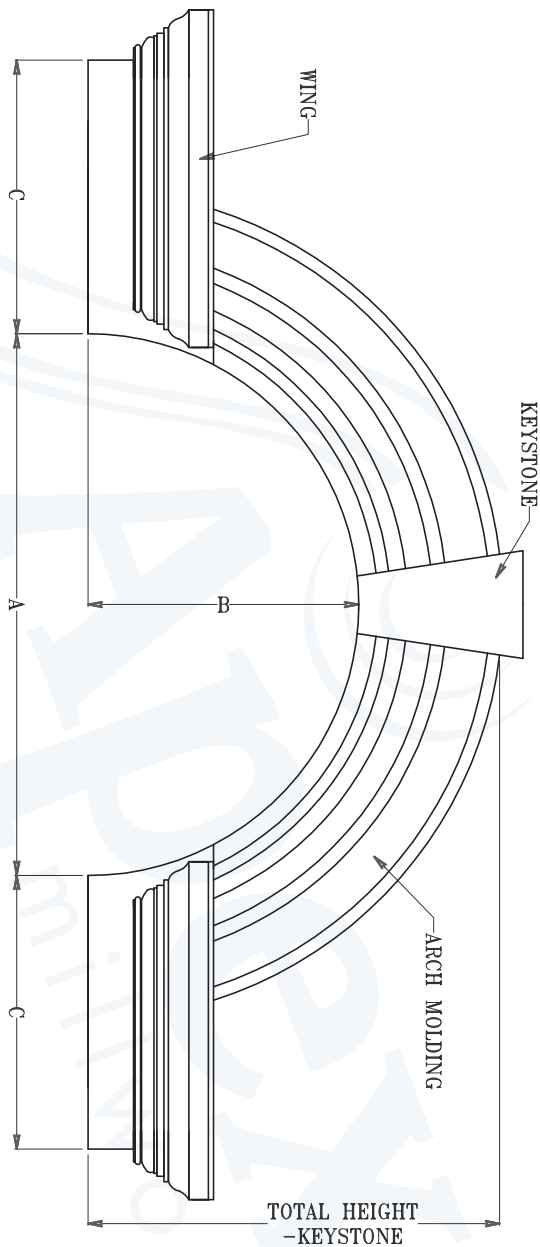


CUSTOMER NAME: _____

CUSTOMER ORDER NUMBER: _____

CUSTOMER SUPPORT REP: _____

TECHNICAL SUPPORT REP: _____



PLEASE REFER TO ADDITIONAL PRICING NOTES IN PRICE LIST. NEW ITEM NUMBERS WILL BE ASSIGNED WHEN PART IS ORDERED. DRAWINGS WITH REQUESTED DIMENSIONS MUST BE SUBMITTED FOR REFERENCE.

DIMENSION (A) = _____
DIMENSION (B) = _____
DIMENSION (C) = _____

APEX ARCH PART NUMBER: _____

CONTACT NAME: _____

APEX KEYSTONE PART NUMBER: _____

CONTACT PHONE/FAX NUMBER: _____

APEX CUSTOM PART NUMBER: _____

QUOTE NUMBER: _____

QUANTITY: _____

Customer Signature: _____

Date: _____

TITLE: **COMPOUND ARCH**

SPEC SHEET NUMBER: **11-001**



105 Church Lane
Red Lion, PA 17356
Ph. (717) 246-1948 or (877) 396-1777
Fax (717) 244-8187
Visit our website at: www.aumill.com

ALL ITEMS ARE DRAWN FOR PRESENTATION PURPOSES ONLY. THEREFORE IMAGE SHOWN MAY VARY SLIGHTLY FROM FINISHED ACTUAL PART. DRAWING SHOWN IS TO INDICATE GENERAL ARRANGEMENT AND DESIGN. APEX RESERVES THE RIGHT TO CHANGE ANY PRODUCT DESIGN WITHOUT NOTIFICATION.